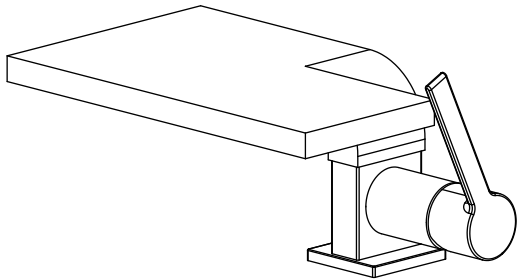


C1001 | Single Hole Cascade Flow Faucet



SPECIFICATIONS:

- Solid Brass construction
- Single Hole Installation
- 1.5 GPM Flow Rate @ 60 PSI
- Ceramic disc cartridge allows both volume and temperature control

FINISHES :

- Chrome - C1001CP

STANDARDS:

- ASME A112.18.1 / CSA B125.1, NSF-61

LowFlow Capable



Legislation Compliance



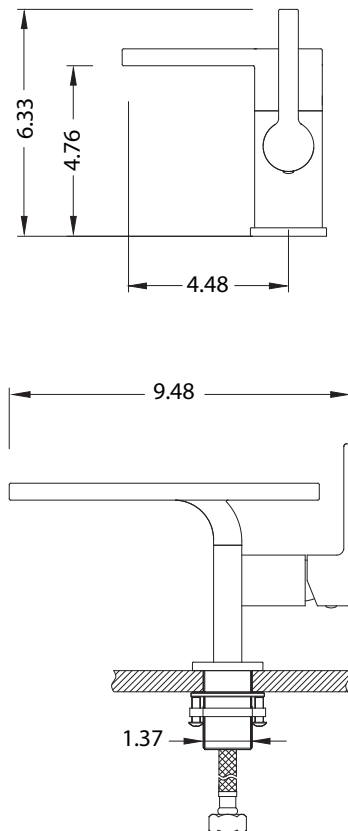
Low Lead Compliant



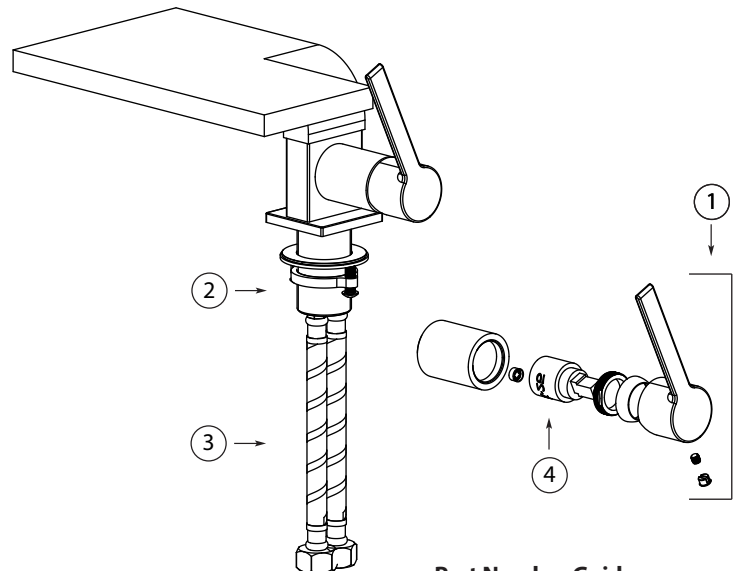
ZeroDrip Technology



Technical Diagram



Exploded View



Part Number Guide:

- ① Handle Kit - C1001-2352CP
- ② Install Screws - C1001-2581
- ③ 3/8" Hose - 100.1000-8738
- ④ Cartridge - C1001-9853